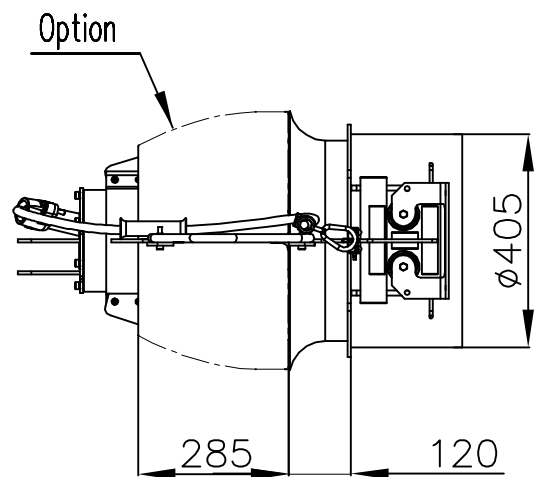
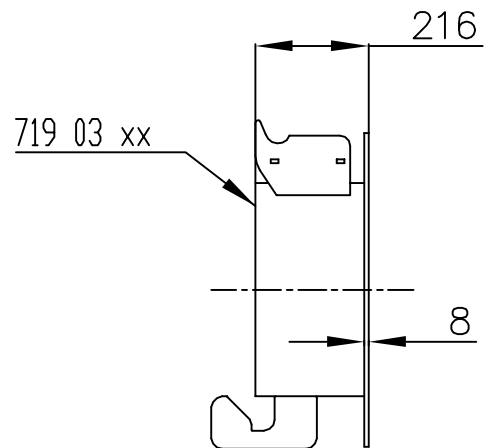
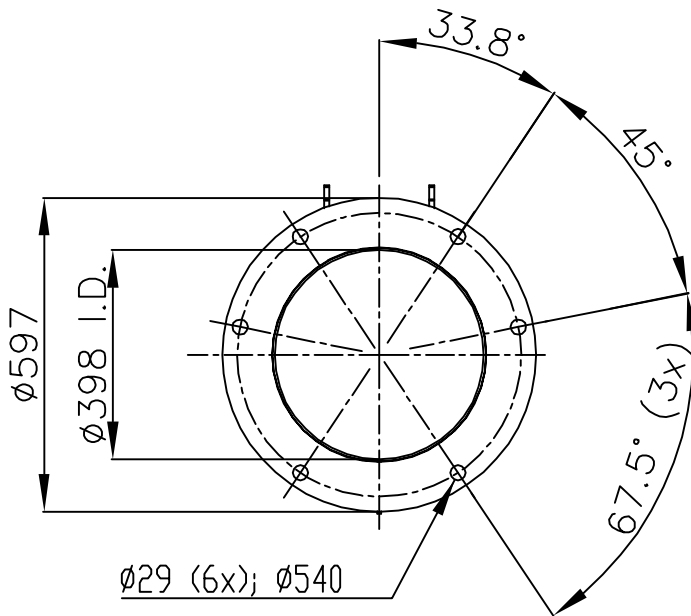
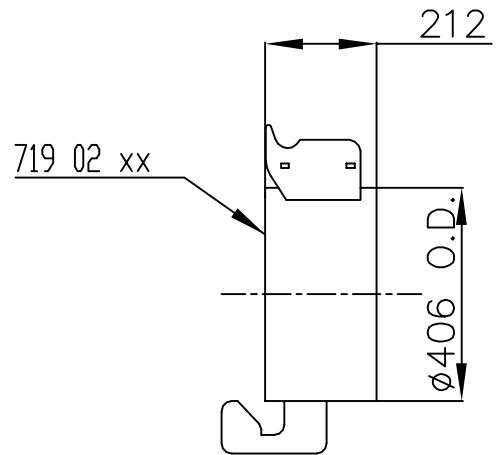
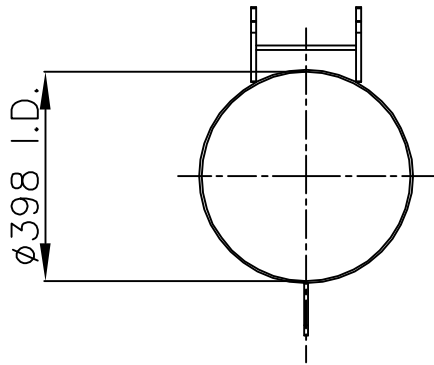


* Guideline value, recommended minimum submergence can be lower. Contact ITT Flygt for more information.
 *** With vortex protection shield



| |
|-------------------|
| Weight (kg) |
| Total incl. stand |
| 92 |

| | | | | |
|-----------------------------------------------------------------------------------------------------------|---------------------------------------------|--------------|----------------|-------------|
|  AUTOCAD DRAWING | Denomination Dimensional drwg PP 4640 | Drawn by KST | Checked by Fre | Date 080115 |
| | | Scale 1:15 | Reg no 5399 | 7073800 |
| | | | | 2 |



| | |
|--------------|----------------|
| 719 03 xx | 23,5 |
| 719 02 xx | 14,0 |
| Variant | Weight(kg) |
| Drawn by KST | Checked by Fre |
| Date 080115 | Reg no 5399 |
| Scale 1:15 | |
| 7073750 | 0 |



Denomination
Dimensional drwg
PP 4630.-40